



The low-cost floodlight family just upped its game. PIP™ - now up to 45W of affordable LED light.

Color: Bronze

Weight: 4.6 lbs

<b>Project:</b>	<b>Type:</b>
<b>Prepared By:</b>	<b>Date:</b>

Driver Info		LED Info	
Type:	Constant Current	Watts:	45W
120V:	0.42A	Color Temp:	4000K
208V:	0.26A	Color Accuracy:	75 CRI
240V:	0.22A	L70 Lifespan:	60000
277V:	0.19A	Lumens:	6181
Input Watts:	49W	Efficacy:	126 LPW
Efficiency:	91%		

**Technical Specifications**

**Listings**

**UL Listing:**

Suitable for wet locations. Suitable for ground mounting.

**DLC Listed:**

This product is on the Design Lights Consortium (DLC) Qualified Products List and is eligible for rebates from DLC Member Utilities.

DLC Product Code: P2GF72GQ

**IESNA LM-79 & LM-80 Testing:**

RAB LED luminaires have been tested by an independent laboratory in accordance with IESNA LM-79 and LM-80, and have received the Department of Energy "Lighting Facts" label.

**Electrical**

**Driver:**

Constant Current, Class 2, 50/60 Hz, 2kV, 120 - 277VAC 120: 0.42A, 208V: 0.26A, 240V: 0.22A, 277V: 0.19A

**Dimming Driver:**

Driver includes dimming control wiring for 0-10V dimming systems. Requires separate 0-10V DC dimming circuit. Dims as low as 10%.

**THD:**

11.0% at 120V, 15.7% at 277V

**Power Factor:**

99.0% at 120V, 92.6% at 277V

**Surge Protection:**

+/- 1kV line to line (differential mode)/ +/- 2kV line to common mode ground (tested to secondary ground) on AC power port, +/- 0.5 kV for outdoor cables

**LED Characteristics**

**LEDs:**

Long-life, high-efficiency surface mounting LEDs

**Lifespan:**

60,000-hour LED lifespan based on IES LM-80 results and TM-21 calculations.

**Color Uniformity:**

RAB's range of CCT (Correlated Color Temperature) follows the guidelines of the American National Standard for Specifications for the Chromaticity of Solid State Lighting (SSL) Products, ANSI C78.377-2017.

**Optical**

**NEMA Type:**

7H x 6V Beam Spread.

**Construction**

**IP Rating:**

Ingress Protection rating of IP66 for dust and water

**Maximum Ambient Temperature:**

Suitable for use in 40°C (104°F) ambient temperatures

**Cold Weather Starting:**

Minimum starting temperature is -40°C (-40°F)

**Housing:**

Precision die-cast aluminum housing and mounting arm

**Lens:**

Frosted acrylic lens with built-in optics

**Mounting:**

Mounting arm with "O" ring seal, seal plug and stainless steel screw.

**Gaskets:**

High temperature silicone gaskets.

**Green Technology:**

Mercury and UV free. RoHS compliant components. Polyester powder coat finish formulated without the use of VOC or toxic heavy metals.

**Finish:**

Formulated for high-durability and long lasting color.

**Other**

**5 Yr Limited Warranty:**

RAB warrants fixture operation and paint finish for a period of 5 years.

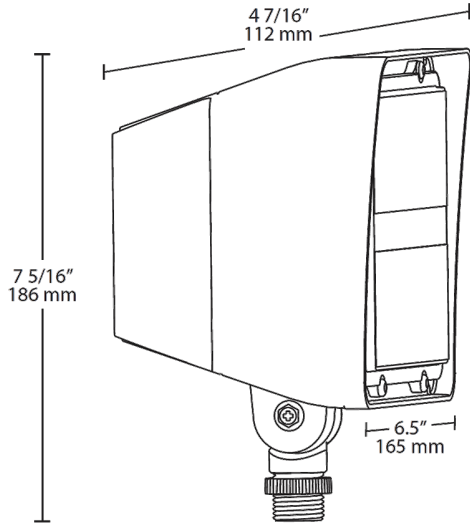
**FTC Country of Origin:**

This product was assembled in the USA by RAB using imported components.

**Buy American Act Compliance:**

This product complies with the Buy American Act.

## Dimensions



## Features

- 0-10V Dimming, standard
- Replaces 150W MH
- 60,000-Hour LED lifespan
- 5-Year limited warranty

## Ordering Matrix

Family	Wattage	Color Temp	Finish	Driver	Sensor Options
PIP	45	N		/D10	
	45 = 45W 30 = 30W 20 = 20W 15 = 15W	Blank = 5000K (Cool) N = 4000K (Neutral) Y = 3000K (Warm)	Blank = Bronze W = White	/D10 = 0-10V Dimming	Blank = No Photocell /PCU = 120-277V Button Photocell